



Digital Panel Clock



Examples of applications:

- TV- and Radio studios
- Control rooms
- Laboratories
- Busses
- Fire Stations
- Air traffic control room
- Ships

Westerstrand Digital Panel Clock for recessing is a small clock for numerous applications. It can either be used only as "normal" clock, or as chronometer (option) for counting up or down of time and is soundless which also makes it the perfect choice for environments sensitive to sounds.

- For recessing in a console acc. to DIN 43700 or for recessing in wall.
- Indicating time in hours, minutes and seconds. Red digits of LED:s and 14 mm. height. The brightness of the LED:s is adjustable via a push button (dimmer) on the front.
- Fully automatic correction of summer/winter time.
- Alarm input for indication of alarm (closing potential-free contact).
- Time setting is easily made by three push buttons on the front.
- The clocks for operation either as stand-alone unit (quartz crystal) or by 24 V pol. rev. 1/1-min. impulses from master clock, and for connection either to 230 V AC or 24 V DC.
- The clocks can also be provided with chronometer function (option) for count-up or down of time. In this case the delivery also includes a remote control from which the chronometer function is controlled.

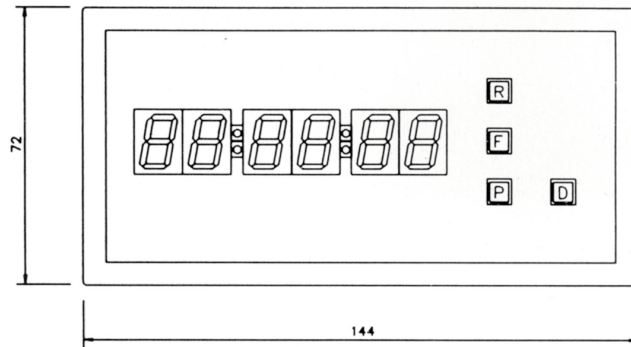
OPTIONS/ACCESSORIES

- Batteri package 500 mAh which gives approx. 1 hour running reserve at max. brightness on the LED:s and 2 hours running reserve at min. brightness.
- Chronometer function incl. remote control and 5 meter cable.
- RS 232
- IRIG-B
- IRIG-E

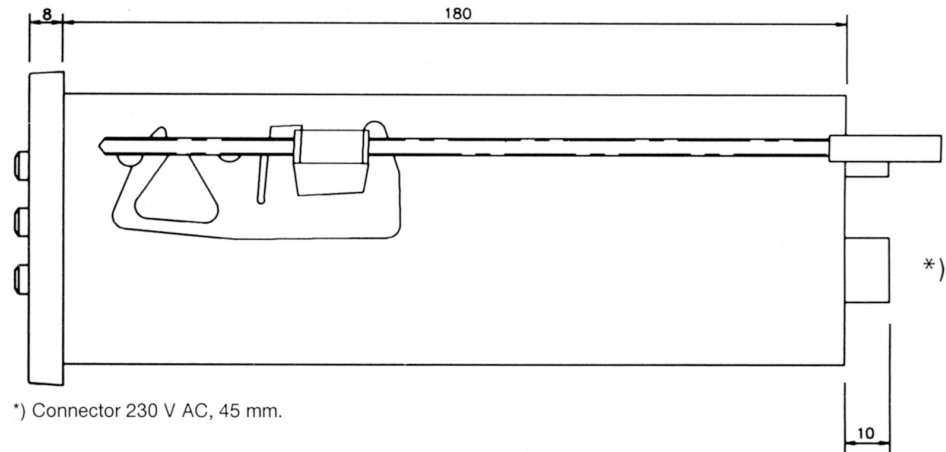
TECHNICAL DATAS

| Art.No. | Operation | Connection | Power consumption | Weight |
|------------------------|--------------------|----------------------|--|------------------|
| 119500-00 119502-00 | min.imp. quartz | 24 V DC 24 V DC | Approx. 400 mA, with battery approx. 450 mA | 0,8 kg 0,8 kg |
| 119510-00 119512-00 | min.imp. quartz | 230 V AC 230 V AC | Approx. 30 mA, with battery 35 mA | 1,0 kg 1,0 kg |

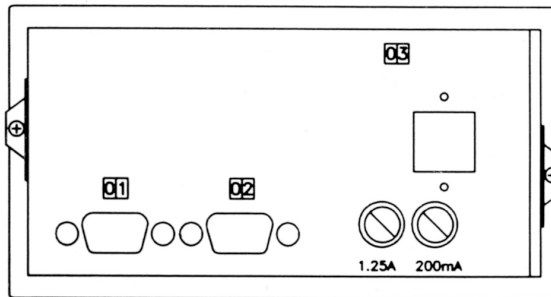
Crystal frequency: 4,194304
 Accuracy: 0,1 sec./24 hours (at +20°C)
 Microprocessor: HD 6303R
 Ambient temperature: 0°C to +40°C
 Relative humidity: Max. 95%
 Case: IP 52, black plastic (Noryl)



Measurements for recessing = 138 x 66 mm.
 Max. console/wall thickness = 7 mm.



*) Connector 230 V AC, 45 mm.



Connections
 01 = 9-pol. for minute impulse input and chronometer
 02 = Serial input (option)
 03 = 3-pol. 230 V AC connection

Fuses
 1,25 A (slow) for battery
 200 mA (slow) for 230 V AC